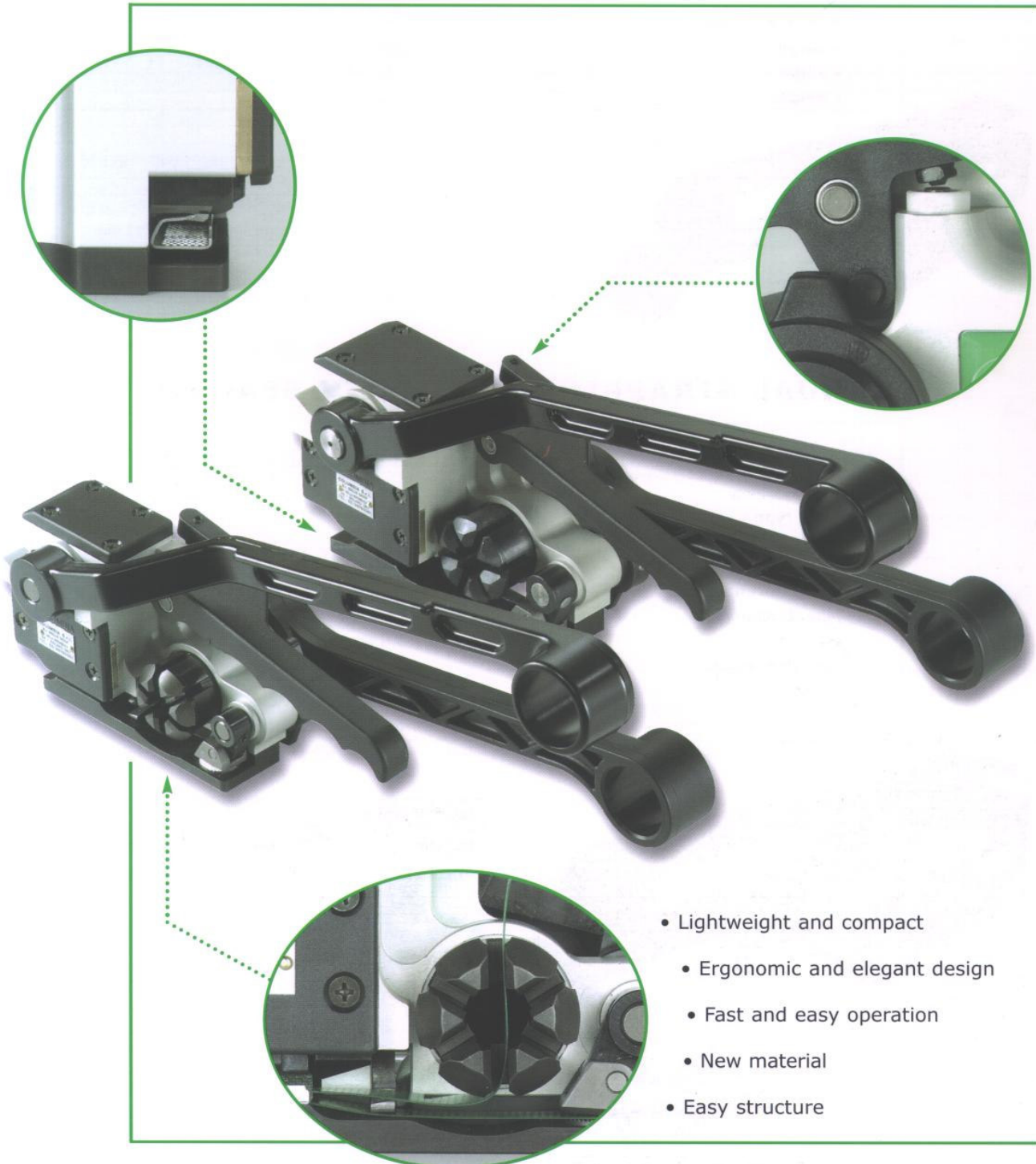




M. J. MAILLIS GROUP

ST-IMPA 13 - ST-IMPA 16

MANUAL STRAPPING TOOL WITH SEAL FOR PP-PET



ST-IMPA 13

MANUAL STRAPPING TOOL WITH SEAL FOR PP-PET

Technical data

Strap quality	PP-PET
Joint type	with seal
Package type	flat
Strap width	11 - 12,5 mm
Strap thickness	0,4 - 0,9 mm
Max. tension	3000 N with 25 kg of strength on the tensioning lever
Weight	2,7 kg
Tool dimension:	
- length	340 mm
- width	100 mm
- height	110 mm

www.gripca.it

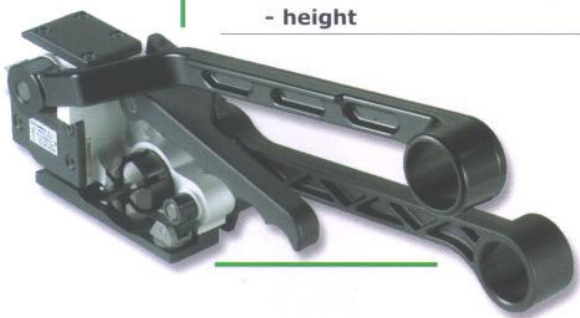


Chart of types

Modello	Item.No.	Strap width
ST-IMPA 13	111.130.040	13 mm

ST-IMPA 16

MANUAL STRAPPING TOOL WITH SEAL FOR PP-PET

Technical data

Strap quality	PP-PET
Joint type	with seal
Package type	flat
Strap width	15 - 16 mm
Strap thickness	0,5 - 0,9 mm
Max. tension	3000 N with 25 kg of strength on the tensioning lever
Weight	3,8 kg
Tool dimension:	
- length	355 mm
- width	110 mm
- height	120 mm

Chart of types

Modello	Item.No.	Strap width
ST-IMPA 16	112.160.040	16 mm

